

**SOLUTIONS FOR
FLUIDS PUMPING**

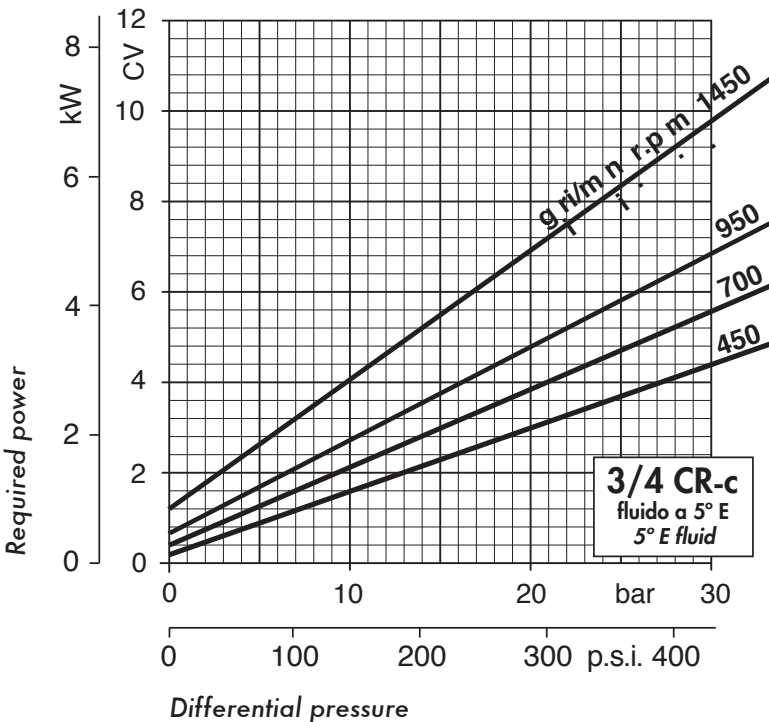
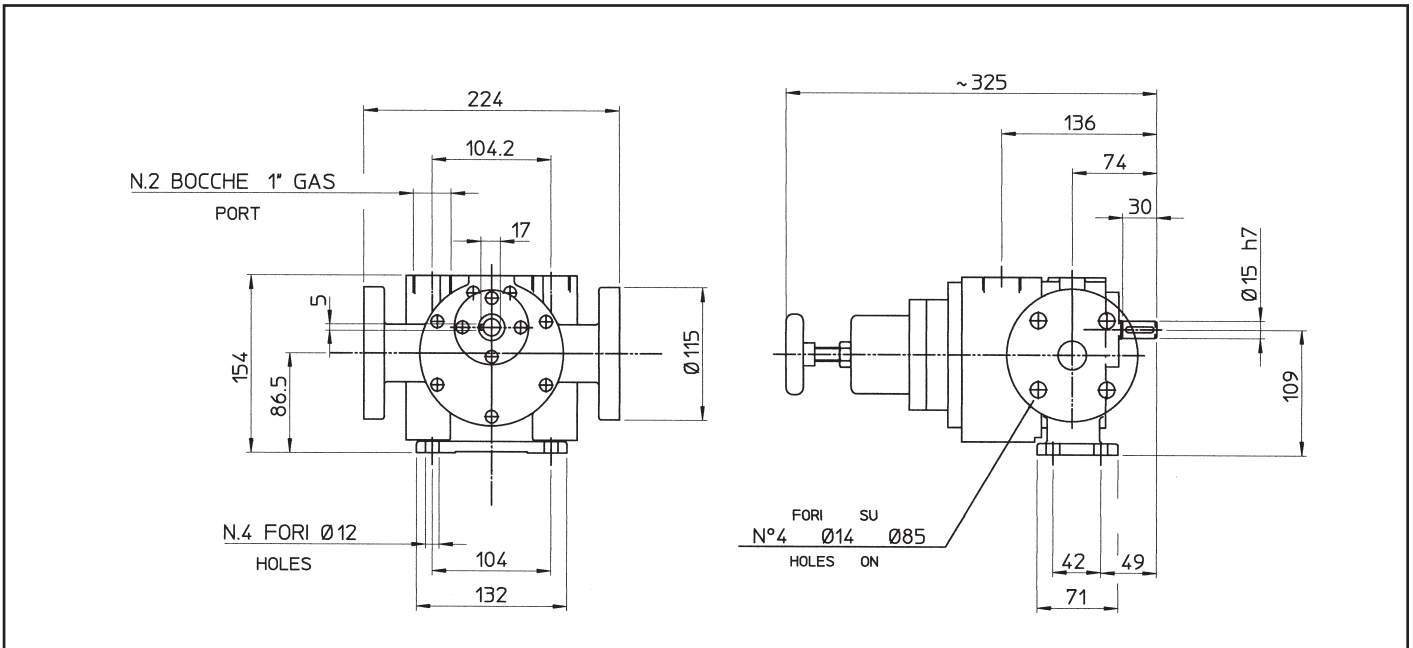
ZRP 3/4 CR-c

Cilindrata: 70,7 cm³/giro • Displacement: 4.31 cu.inc./rev.

Peso: 22 kg • Weight 48 lb

Flange DN 25 PN 40

The dimension and weights are not mandatory



| r.p.m. | Nominal Flow | | |
|--------|-------------------|-------|--------|
| | m ³ /h | l/min | g.p.m. |
| 100 | 0,42 | 7,0 | 1.87 |
| 200 | 0,85 | 14,1 | 3.74 |
| 300 | 1,27 | 21,2 | 5.61 |
| 400 | 1,70 | 28,3 | 7.48 |
| 500 | 2,12 | 35,3 | 9.35 |
| 600 | 2,54 | 42,4 | 11.2 |
| 700 | 2,97 | 49,5 | 13.1 |
| 800 | 3,39 | 56,6 | 14.9 |
| 900 | 3,82 | 63,6 | 16.8 |
| 1000 | 4,24 | 70,7 | 18.7 |
| 1100 | 4,67 | 77,8 | 20.5 |
| 1200 | 5,09 | 84,8 | 22.4 |
| 1300 | 5,51 | 91,9 | 24.3 |
| 1400 | 5,94 | 99,0 | 26.2 |
| 1500 | 6,36 | 106 | 28.0 |