

ZRP 3/4 CR-b

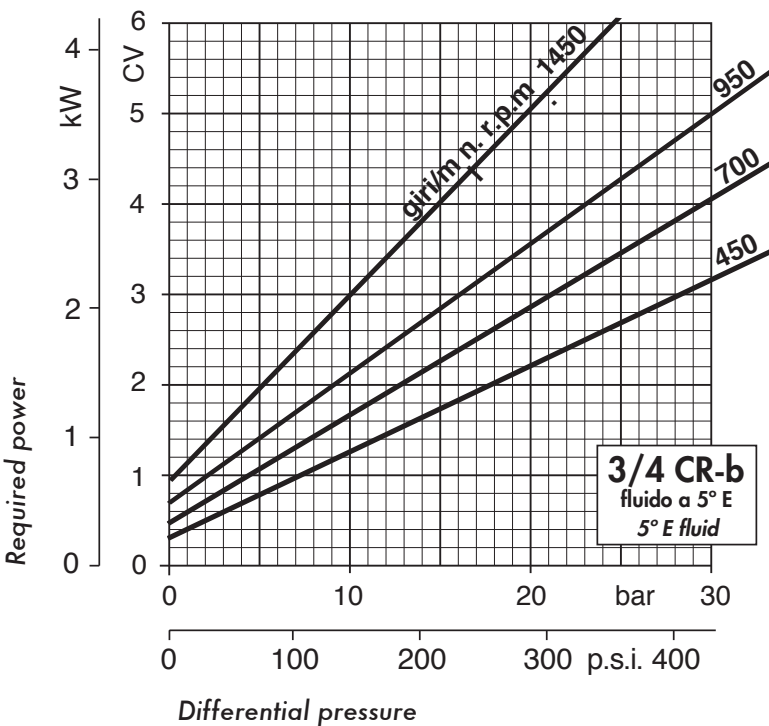
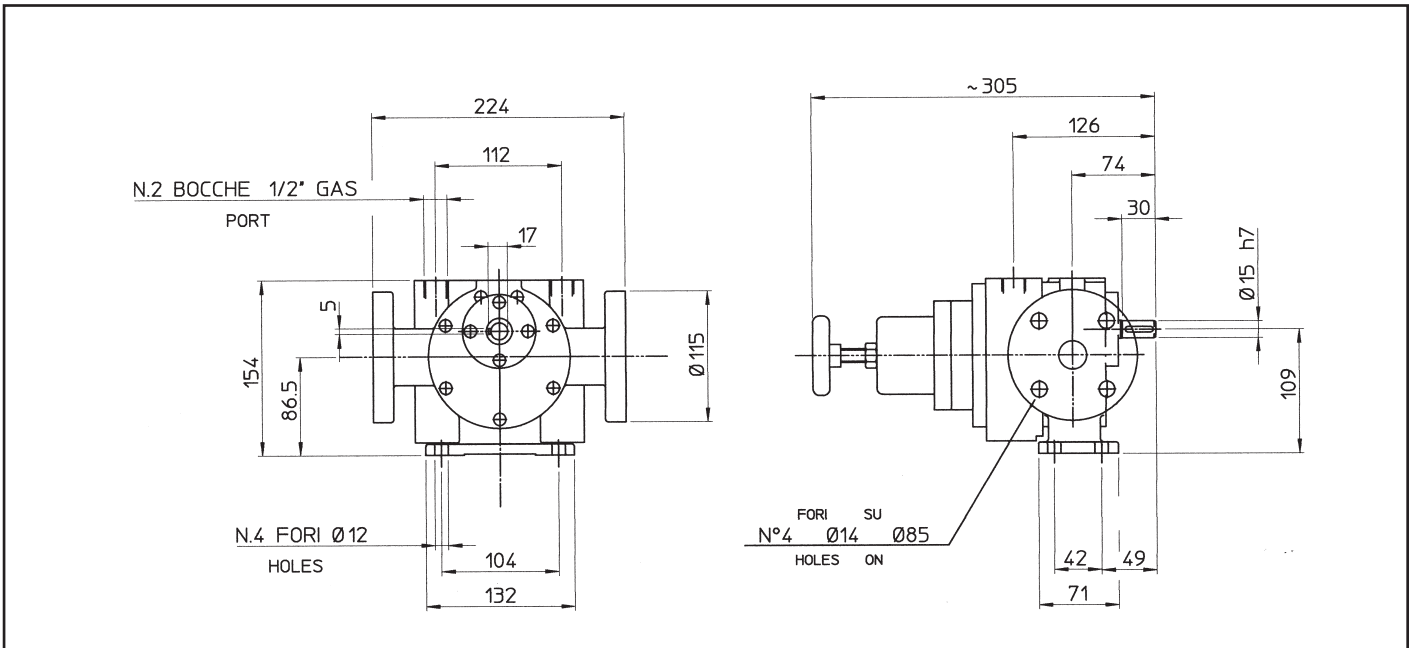
**SOLUTIONS FOR
FLUIDS PUMPING**

Cilindrata: 50,4 cm³/giro • Displacement: 3.07 cu.inc./rev.

Peso: 19 kg • Weight 42 lb

Flange DN 25 PN 40

The dimension and weights are not mandatory



r.p.m.	Nominal Flow		
	m ³ /h	l/min	g.p.m.
100	0,30	5,0	1.33
200	0,60	10,1	2.66
300	0,91	15,1	4.00
400	1,21	20,2	5.33
500	1,51	25,2	6.66
600	1,81	30,2	7.99
700	2,12	35,3	9.33
800	2,42	40,3	10.6
900	2,72	45,3	12.0
1000	3,02	50,4	13.3
1100	3,33	55,4	14.6
1200	3,63	60,5	16.0
1300	3,93	65,5	17.3
1400	4,23	70,5	18.6
1500	4,53	75,6	20.0